

Data Sheet

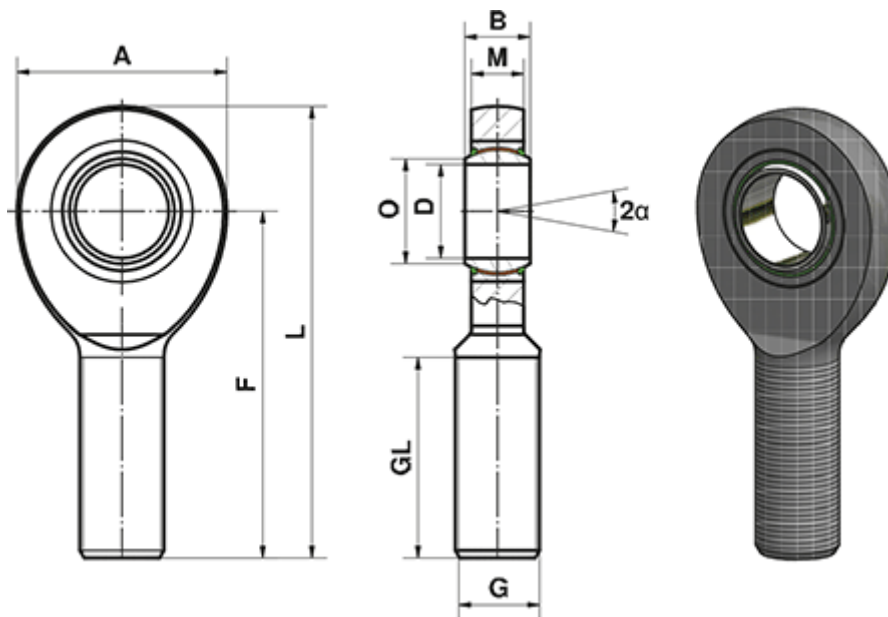


Article number: 03491060

Description: Fluro Heavy Duty Rod end EA 60 EW-2RS
M52x3 Male thread

Note: 60

Measures



A	= 135	L	= 277.5
a (degrees)	= 6	M	= 36
B	= 44	O	= 66.8
D	= 60	Static load C0 (kN)	= 497
Dynamic load C (kN)	= 690	Weight (g)	= 5900
F	= 210		
G	= M52x3		
GL	= 115		